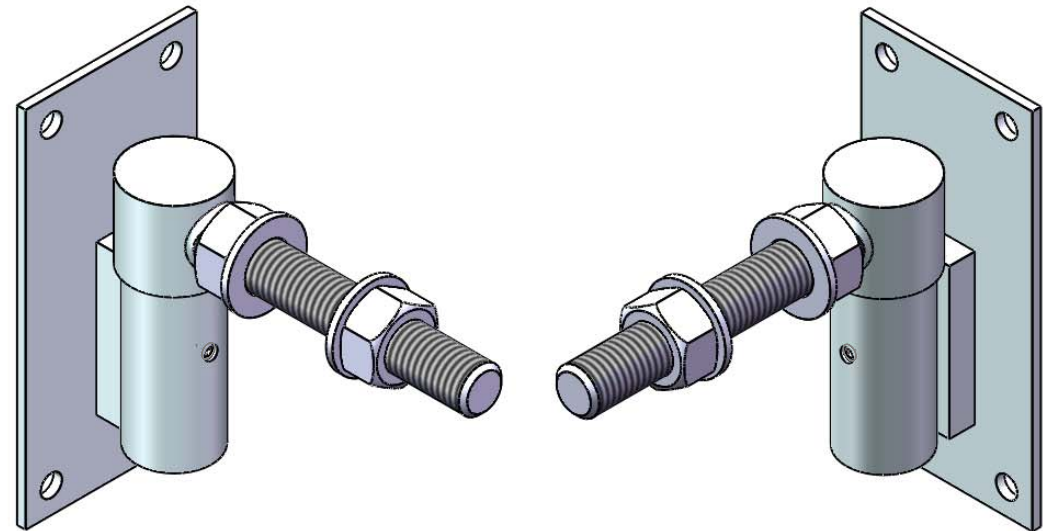
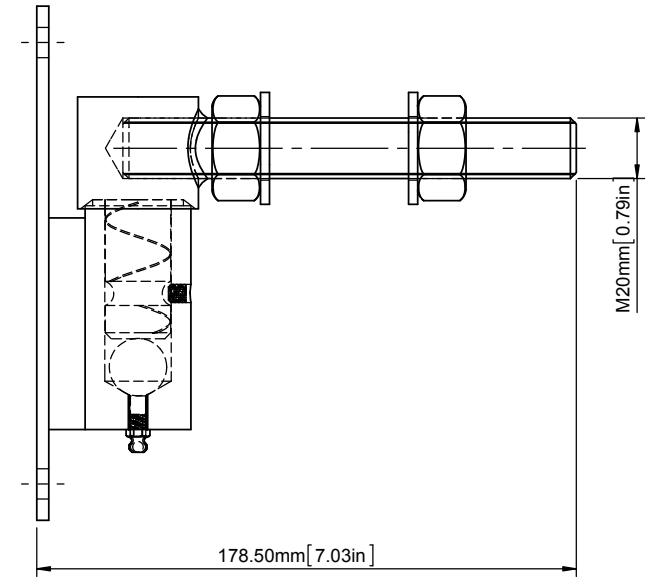
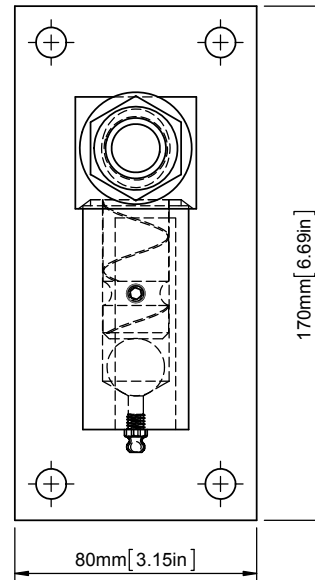
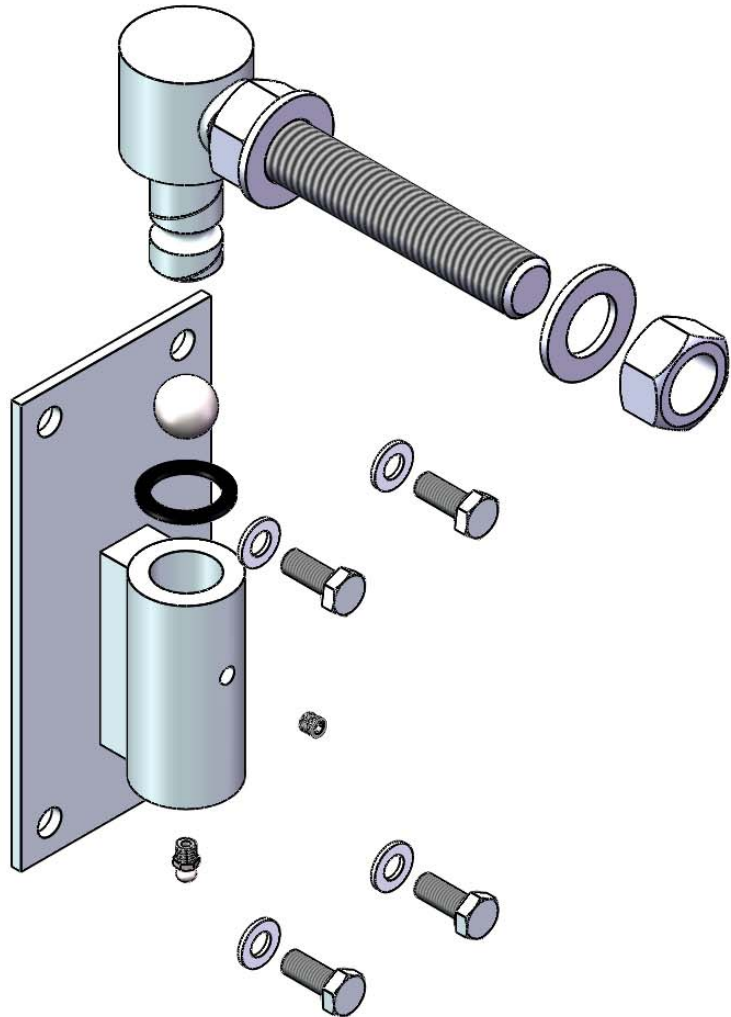


SPECIFICATION:

- SOLID ROUND STEEL : $\phi 35\text{mm}$; $\phi 40\text{mm}$, M20 STEEL THREAD ROD
- SHEET STEEL : 4mm; 12mm STEEL
- ACCESSORIES : BOLT-NUT-WASHER M8, M20...

FINISH SPECIFICATION:

- FULLY EZP (8→12 μm THK)
- POWDER COATING : BLACK / SMOOTH / MATTE 25+-5/RAL 9005 (60→80 μm THK)



GATE & FENCE
www.tekgates.com.au

Title : **Driveway Gate Bolt on Hinge (Pair)**